

BASCABINS

Smart bins and buckets washing

The best solution to clean bins, buckets, canisters and other containers with water, solvent, or eco-friendly fluids. In its basic configuration, the machine is pneumatic operated with timed cycle, filtering system and 90Lt stocking tank. Upgrades available to clean at high pressure and multiple containers load.

BASCA

Cleaning equipment for tanks and containers



BENEFITS



2min. Average Cleaning Time



Stainless Steel Cleaning Chamber



Easy to Move Around



User Friendly



Plug & Play Technology



Compact Layout



Cost Efficient



Circular Economy

TECHNICAL DATA



• WATER AND ECO-FRIENDLY FLUIDS

Size (LxWxH): 900x500x900mm
Compressed air supply: 7 bar
Cycle Process: programmable
Washing pressure: 3 Bar – up to 150 bar
Media max temp: 80°C
Filtering System: N°1 filter
Complying with 2006/42/EC requested safety devices



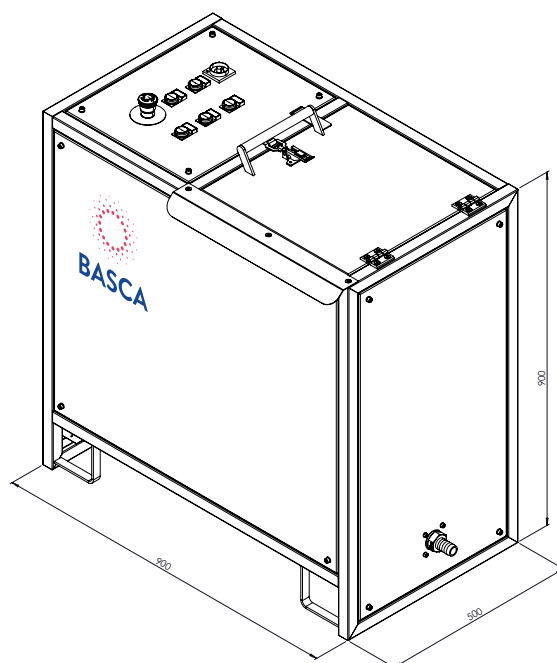
• SOLVENTS

Size (LxWxH): 1200x500x900mm
Compressed air Supply: 7 bar
Cycle Process: programmable
Washing pressure: 3 Bar – up to 40 bar
Filtering System: N°1 filter
Complying with 2006/42/EC requested safety devices
EX-proof versions according to ATEX directive 2014/34/UE

CONTAINERS



LAYOUT



ACCESSORIES

- Final rinsing cycle
- External cleaning
- Stocking tanks
- Heating system
- High pressure cleaning
- Multiple containers cleaning

